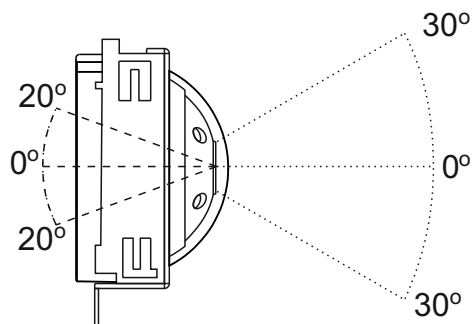
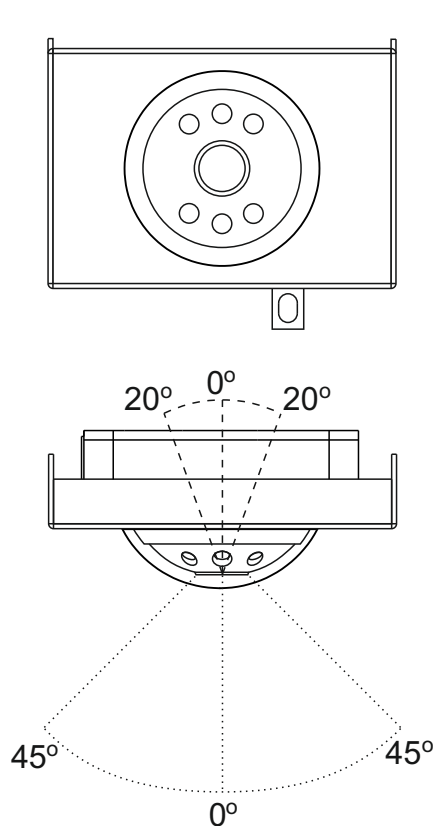


Specifications of cameras used in Aco products

Cameras in Inspiro series panels and CDNVK-CAM modules for CDNP series with aluminium frames



Color dome camera module with infrared LED backlight. High resolution camera (at least 600 lines), with wide angle lens 2,8 mm.

Camera view angles:

- horizontally: 90°
- vertically: 60°

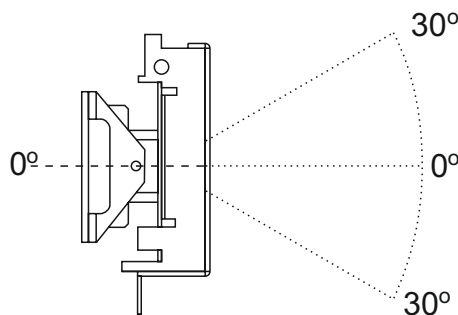
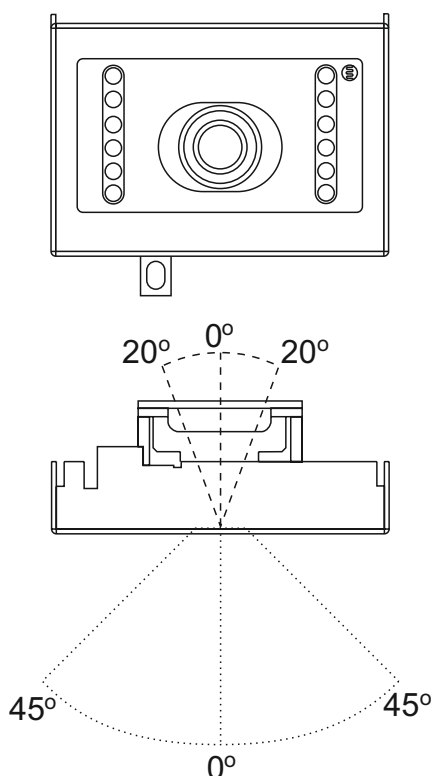
Adjustable position of camera viewing direction including LED backlight:

- horizontally: 20° each way
- vertically: 20° each way

Other parameters:

- connectors for direct connection with a combiner: differential video signal V +, V- and 15V DC power supply
- mechanical durability (degree of protection): IK09

Cameras in Inspiro series panels and CDNVK modules for CDNP series



Color camera module with infrared LED backlight. High resolution camera (at least 600 lines), with wide angle lens 2,8 mm.

Camera view angles:

- horizontally: 90°
- vertically: 60°

Adjustable position of camera viewing direction:

- horizontally: 20° each way
- vertically: none

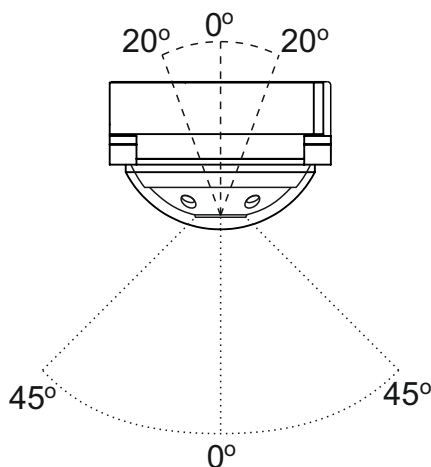
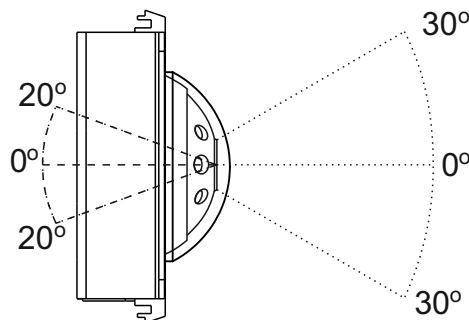
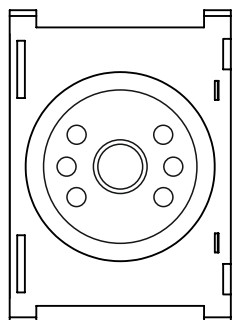
Other parameters:

- connection of coaxial PAL video signal (75 Ohm) and power supply 12V DC / 75 mA

IU0709envC.2311

Specifications of cameras used in Aco products

Cameras in COMO and Familio panels (also MOD-CAM-COAX and MOD-CAM-FAM)



Color dome camera module with infrared LED backlight. High resolution camera (at least 600 lines), with wide angle lens 2,8 mm.

Camera view angles:

- horizontally: 90°
- vertically: 60°

Adjustable position of camera viewing direction including LED backlight:

- horizontally: 20° each way
- vertically: 20° each way

Other parameters:

- connector for direct connection with panels
- screw connector (only MOD-CAM-COAX): coaxial PAL video signal (75 Ohm), 12V DC / 75 mA power supply
- mechanical durability (degree of protection): IK09

IU0709envC.2311