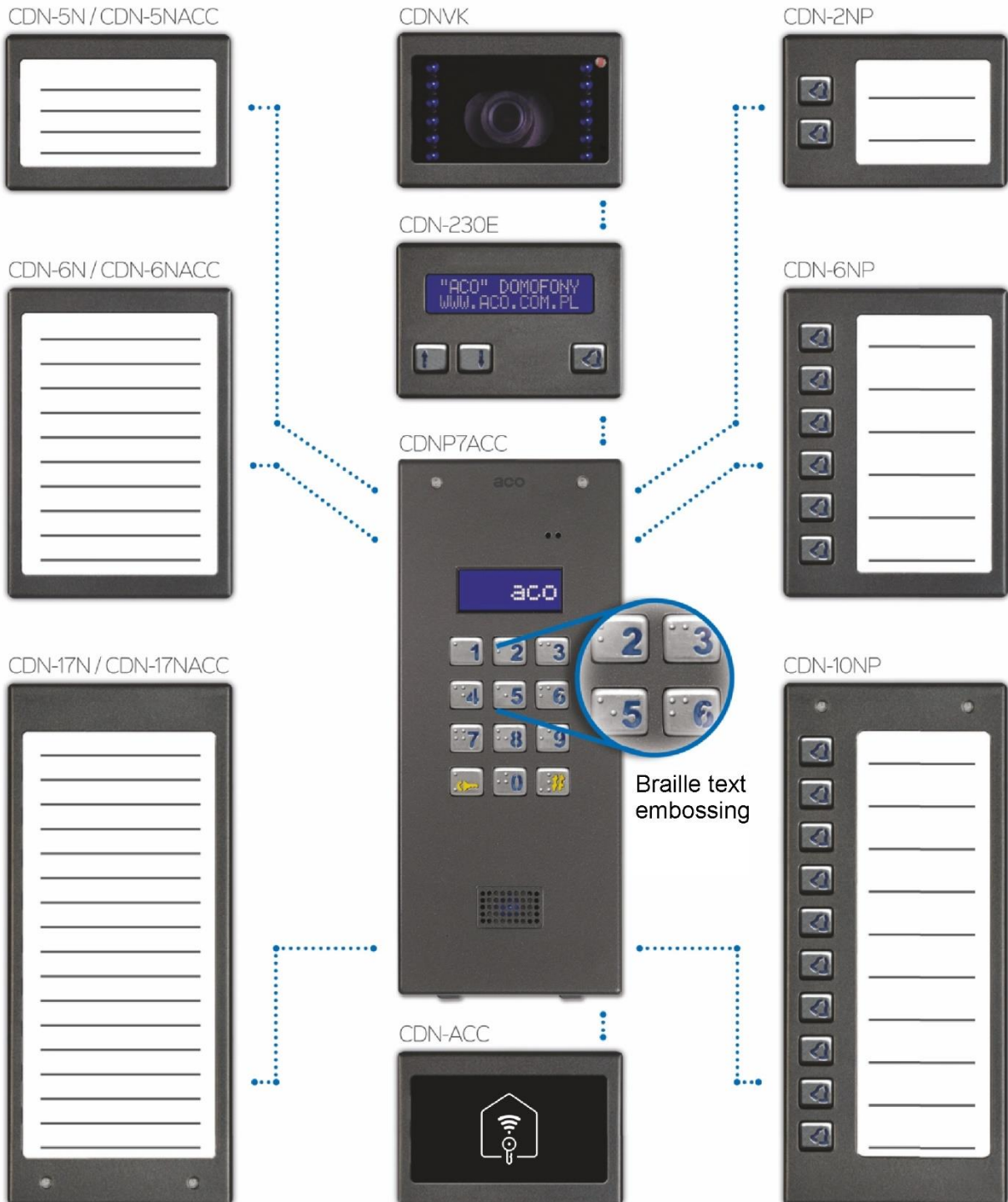




## DIGITAL DOOR ENTRY SYSTEM CDNP7ACC



The figure above shows a potential extension options which are purchased separately. Optional accessories include a keypad with Braille text embossing.

## DISPOSAL OF WASTE ELECTRICAL EQUIPMENT

Do not dispose of waste electrical equipment with other (household / municipal) waste types. Dispose of it separately as permitted by law. Consult the authority of jurisdiction or licensed waste recycling service providers. - Directive 2002/96/EC of 27/01/2003

## INSTALLING THE DOOR ENTRY SYSTEM OUTSIDE UNIT

Install the outside unit on the building wall (in an entrance enclosure, a vestibule, on a sheltered wall, the eastern wall, etc.) to minimise exposure to inclement weather. The recommended approximate installation height above the ground is 1.35 m. Attach the outside unit frame with wall plugs or screws/bolts providing secure fastening to the installation substrate; flush mounting frame should be secured by embedding with plaster within the wall recess. Lead the wiring out and through the hole in the frame.

**CAUTION!** To ensure proper operation and safety of use, provide the outside unit (set in its metal frame) with protective earth bonding by connecting the PE terminal on the outside unit housing with the building earthing system.

Connect the outside unit to the entrance door electric strike and its power with a 1 mm<sup>2</sup> core cable (e.g. LY1.0). The cable should be no more than 7 m for the electric strike connection and no more than 15 m for the power supply connection! An insufficient power supply rating, too small wiring cores and excessive length of interconnecting wiring (resulting in voltage drops) may interfere with proper operation (including the “humming” noise in the outside unit audio line or inadvertent triggering of the reset system, especially when releasing the electric strike). Connect the +11.5V AC power to the +12V~ terminals; if 15V DC power is used, connect it to these terminals: +DC (+ELOCK) and GND (LINE-). If a video door entry system is installed, 15V DC power is allowed only and connected to the adder module.

If a polarity-insensitive electric strike is installed, connect the wiring to the ELOCK terminals in any order. If a fail-safe (NO) electric strike is installed, connect jumper Z13 (if present)!

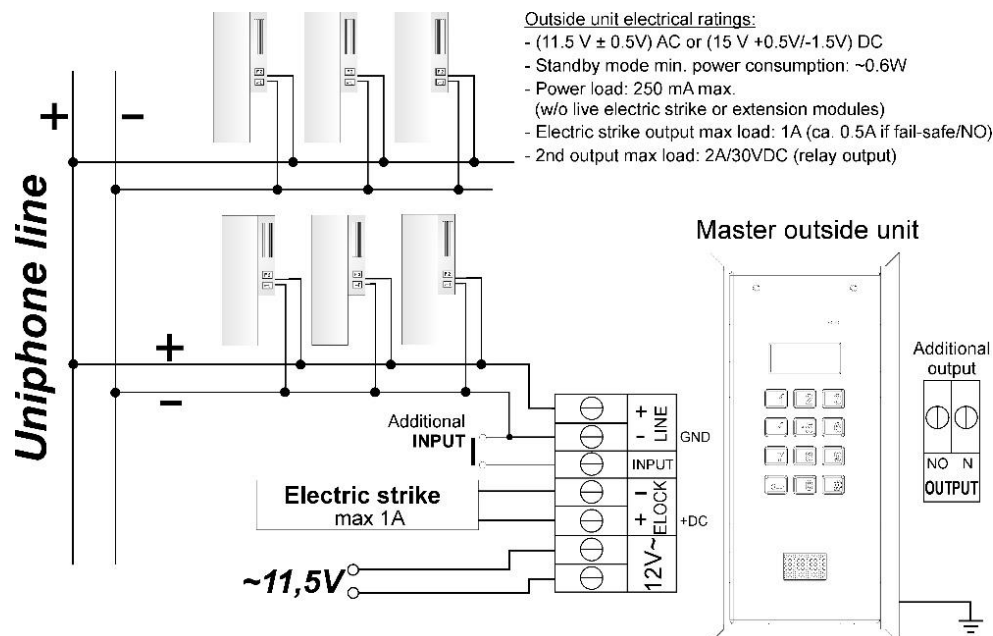
For a fail-safe (NO) electric strike, the ELOC output is live depending on the power adapter or voltage transformer type; use a compatible fail-safe (NO) electric strike. An optional MOD-DC-12V module is available to feed 12VDC to a fail-safe (NO) electric strike when the digital entry system is fed by an 15VDC power supply or a voltage transformer. The additional relay OUTPUT terminal (Master only) can be wired to control an additional entrance gate (by factory default) with a code keypad (with “the double Key button press”) and button F2 of an uniphone. The live voltage time and functions of the OUTPUT terminal can be configured in Program 18, Port 2 (as in the CND-I/O module).

### Solder all wiring connections.

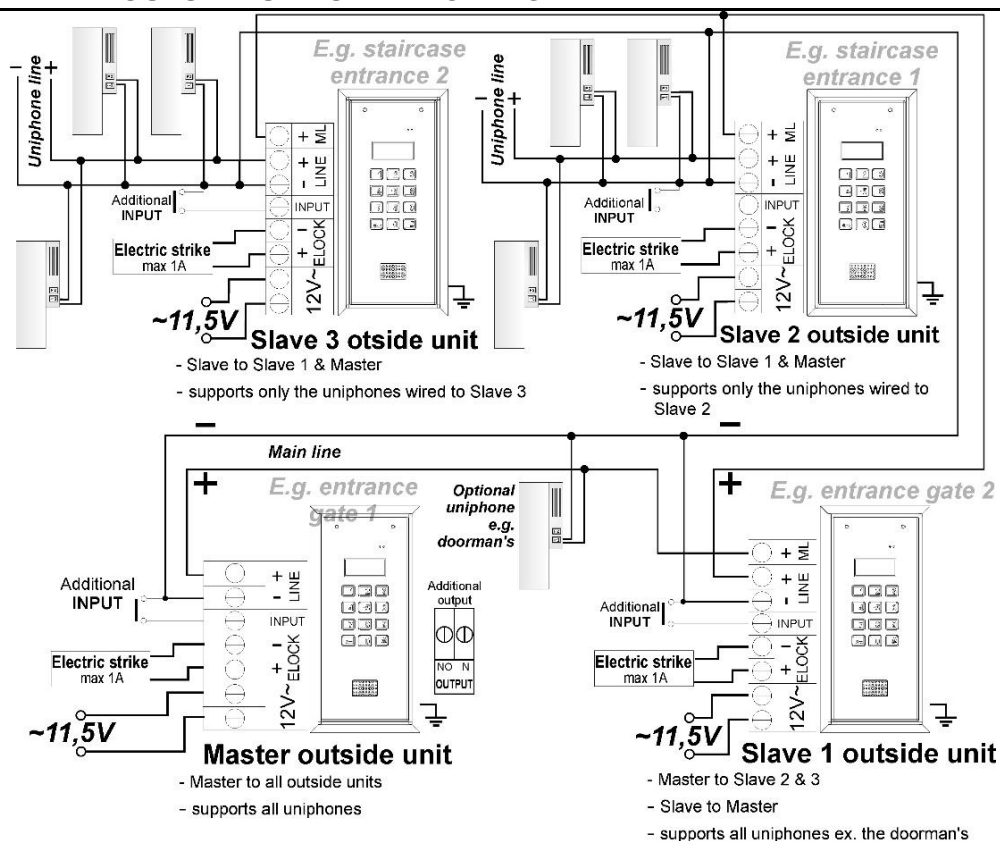
Feed the following wiring to connect to the outside unit:

- 2 x 1mm<sup>2</sup> cable: outside unit power;
- 2 x 1mm<sup>2</sup> cable: electric strike control;
- 2 x 0.5mm: the outside unit output wiring to connect uniphones;
- 1 cable PE wire, yellow-green: to the outside unit housing PE terminal.

## SINGLE CDNP OUTSIDE UNIT WIRING DIAGRAM



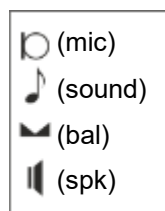
## TWO & MORE CDNP OUTSIDE UNITS WIRING DIAGRAM



## INSIDE UNIT INSTALLATION & WIRING

Install the inside units as specified in their original manuals. Wire the equipment while setting the proper address in the inside unit decoder; wire the outside unit LINE terminals with proper polarity.

### VOLUME SETTING



Set the volume as follows once the inside unit is connected properly:

- **MIC** potentiometer sets the sensitivity of the outside unit microphone
- **SOUNDS** potentiometer sets the outside unit sound output volume
- **SPK** potentiometer sets the outside unit speaker volume

Having set the values, operate the **BALANCE** potentiometer to find the points of excitation of the outside unit speaker (indicated by its squeak); next, adjust the potentiometer halfway between these points.

## OPERATION

When in standby, the display shows the "Intro" message (which reads "aco" by default). The "Intro" message contents are freely configurable. The default range of dialled numbers is 1 to 255, with each value mapped directly to the physical addresses configured in the inside units (the software configuration tool permits any dialled number range between 0 and 999999 and a free assignment of each number to the inside unit address, or to restrict the range of supported inside units). Dialling is done by inputting the apartment number with the keypad; if the optional 230E module is installed, select the apartment number entry with the arrow buttons, followed pressing the Doorbell button. After approx. 3 s, the inside unit in the dialled apartment starts ringing. If the dialled call is received in the dialling mode, a voice conversation is possible with unlocking the door electric strike. Opening the door electric strike by inputting an apartment code: input the apartment number, confirm with the Key button and follow with the 4-digit access code mapped to the input apartment number. In order to print the full table of user codes or ready business cards for tenants together with the instructions for use, use the "ACO Code Generator" available at [www.aco.com.pl](http://www.aco.com.pl) in the user area ("download"). For each "Master" control panel, the code table is factory-set on the back of the device as a 4-digit number, and for "Slave" devices, enter the same table as in "Master". Opening the door electric strike with one of the five building administrator access codes: press the Key button and follow by inputting the six-digit code. The building administrator access codes are intended for use by building administration and maintenance personnel, e.g. maintenance technicians, the janitor, postmen, etc. The wired door electric strike can also be unlocked by shorting the additional **INPUT** to ground. If a proximity reader (ACC) is wired, the door electric strike is unlocked with the proximity card or keyfob (paired with the outside unit and issued to e.g. the tenants, the building administration staff, or the

digital entry system installer). An attempt of entry with a proximity card or keyfob which has not been paired will result with three loud beeps from the outside unit speaker. When the door electric strike is unlocked, the display shows the following text string: “**Enter!**”. The **OUTPUT** (of the Master only) is activated with button F2 on the inside unit (during a dialled call) or entering a valid access code; this requires pressing the Key button twice before the access code is entered, not unlike in the regular door electric strike unlock procedure. If an ACC is wired, the 2nd output is triggered by pressing the Key button and using a paired proximity card or keyfob. As long as the 2nd output remains triggered, the display shows the following text string: “**OUT-2**” (OUTPUT 2).

### PROGRAMMING

Accessing the Installer menu: press the **Key** button and input “**1507xxxx**” within the next 5 seconds; the string “xxxx” is the 4-digit **installer access code**, which is “**0000**” by default. It should be changed to a **custom** digit string! (Menu 7: retype the current access code first).

**CAUTION!** In the newest outside units, “0000” has been replaced by the last four digits of the product's serial number visible on the sticker on the electronics board. A successful access to the Installer menu is confirmed with a sound and the software version appearing on the display, which is followed by Program 0: “Open”. You can navigate between the menus by pressing “2” to navigate “up” and “8” to navigate “down”. The Key button opens the currently selected menu (shown on the display) and confirms the changes of value. In the Installer menu, you can reset (and restart) the outside unit panel by pressing buttons “7” and “9” at the same time. When exiting the Installer menu (by pressing “#”), the display shows the current temperature inside the outside unit.

### INSTALLER MENU ITEMS

<b>0</b> Open	SERVICE-MODE ELECTRIC STRIKE RELEASE	<b>1</b> PIN	ENTERS THE APARTMENT CODE SETTING MODE
<b>2</b> AKey	CHANGING 5 ADMIN CODES, ADDING ADMIN CARD/KEYFOB	<b>3</b> Rings	SETTING THE NUMBER OF CALL RINGS; ENABLE/DISABLE VOICE DIALLING OF APARTMENTS
<b>4</b> Oplnf	ENABLE/DISABLE THE DOORBELL TINKLING AT THE APARTMENT ONCE THE DOOR ELECTRIC STRIKE IS RELEASED	<b>5</b> Tones	SETTING ONE OF THE FOUR RING TONES
<b>6</b> LTime	SETTING THE TIME TO LOCK THE ELECTRIC STRIKE ONCE RELEASED	<b>7</b> IPass	CHANGING INSTALLER PASSWORD ADDING INSTALLER CARD/KEYFOB
<b>8</b> Fobs	DISPLAYS THE CARDS PAIRED WITH APARTMENTS	<b>9</b> Table	OPENS THE ACCESS CODE TABLE INPUT MODE
<b>0</b> ReEL	ENABLE/DISABLE FAIL-SAFE (NO) ELECTRIC STRIKE	<b>1</b> RstLo	ENABLE/DISABLE RESETTING TO DEFAULT SETTINGS
<b>2</b> M-ACC	ENTERS THE MODE OF PAIRING PROXIMITY CARDS AND KEYFOBS WITH AN ACC PROXIMITY READER	<b>3</b> M-xNP	ENTERS THE PROGRAMMING MODE TO PAIR TENANT NAMES TO KEYPAD BUTTONS 2, 6, 10NP
<b>4</b> Delay	SETTING THE DOOR ELECTRIC STRIKE RELEASE DELAY AFTER MAKING THE INPUT TERMINAL	<b>5</b> CaSrv	SETTING THE DELAY TO DISPLAY THE “CALL SERVICE” MESSAGE
<b>6</b> InsCa	TRIGGER APARTMENT CALLBACK IN THE INSTALLER MODE (THE PERMITTED APARTMENT NO. RANGE)	<b>7</b> SrvCa	TRIGGER APARTMENT CALLBACK IN THE SERVICE MODE (FROM A SPECIFIC APARTMENT)
<b>8</b> Searc	SEARCHES FOR UNIPHONES WITH FAULTS OR NOT PROPERLY REPLACED HANDSETS	<b>9</b> LTest	RUNS A LINE TEST TO CHECK THE WIRED UNITS FOR FAULTS

**CAUTION!** Access to the full outside unit configuration requires the software configuration tool (“x700”) which can be downloaded for free from [www.aco.com.pl](http://www.aco.com.pl). The outside unit can be interfaced with a PC laptop with an optional CDN-USB data cable (which is purchased separately). The website Downloads section includes the full operating manual for the CDNP outside units, complete with a troubleshooting guide for most common problems.